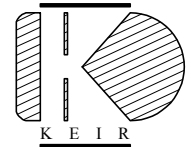
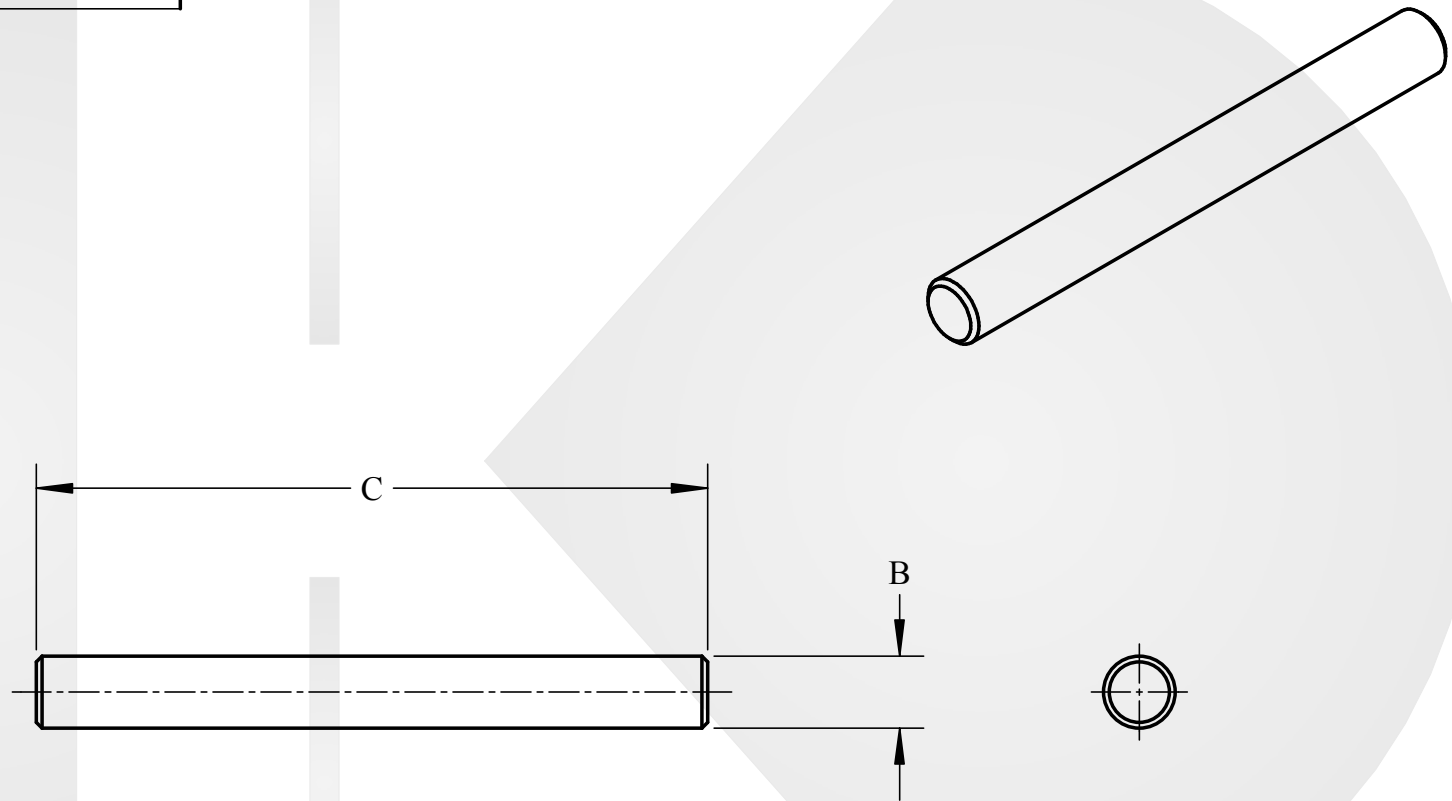


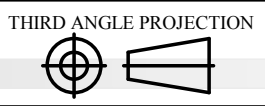
Dimension	Size
B	
C	

Material (Please Circle): White Alumina / Pink Alumina / Titania / Titania-Conductive

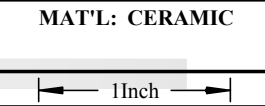


KEIR Manufacturing, Inc.
 133 McLean Road
 Brevard, NC 28712-9451
 Tel: (828) 883-2310

Rod/ Pin
 56 - Series



Length Tolerance ± 0.010



SCALE: 1:1
 DRN: JSH
 CHK:

REF:
 DATE: 11/17/08
 DRG:



“Ceramics Made for Life”

Specification Components

A = Minor Outer Diameter

B = Major Outer Diameter

C = Overall length

D = Feature Thickness (flange)

E = Inner Diameter

F = Feature Width (groove)

G = Feather Length (Feature to groove on 12 series)

H = Depth of Groove (Diameter of bottom of groove)