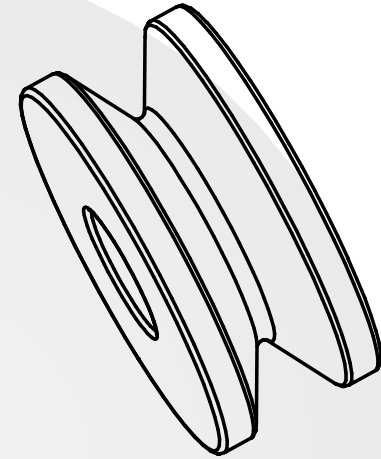
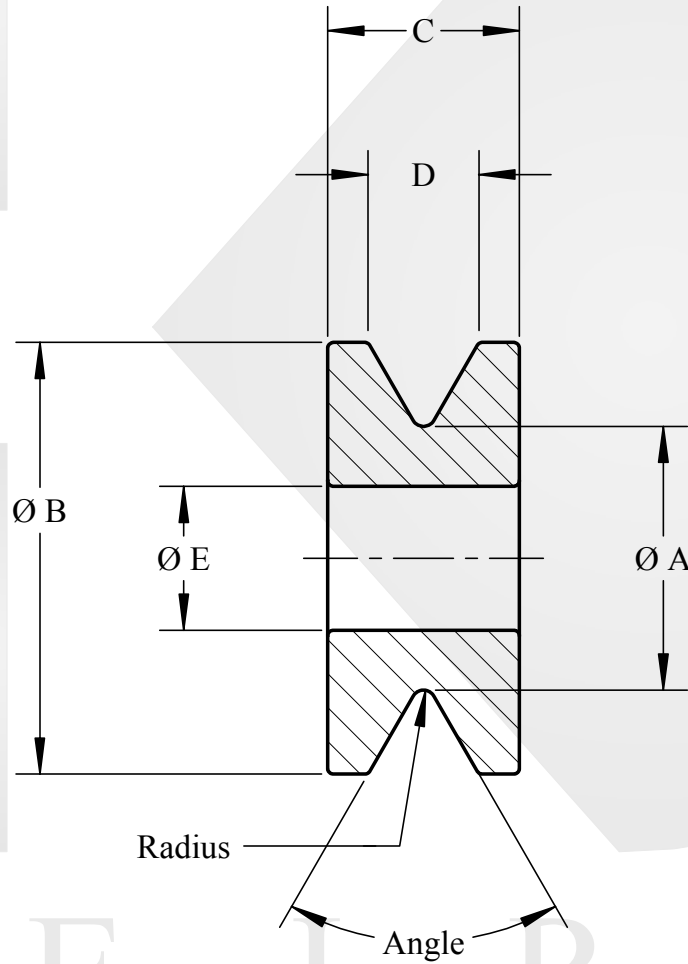
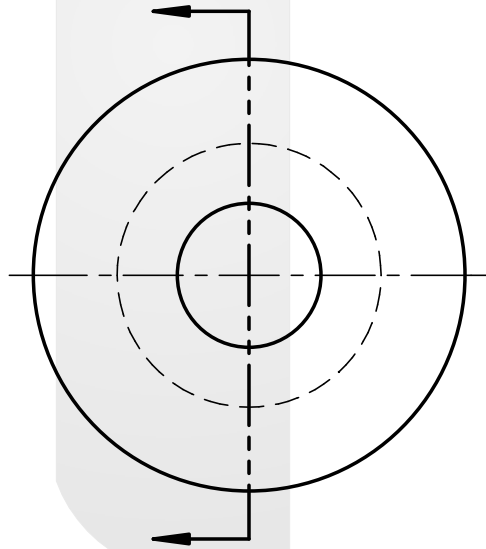



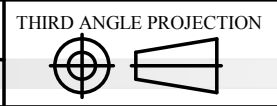
Dimension	Size
A	
B	
C	
D	
E	
Angle	
Radius	

Material (Please Circle): White Alumina / Pink Alumina / Titania / Titania-Conductive

KEIR Manufacturing, Inc.
 133 McLean Road
 Brevard, NC 28712-9451
 Tel: (828) 883-2310

V Groove Pulley
50-Series-V



Unless Otherwise Specified:
 All Tolerances ± 0.010
 Break All Sharp Edges

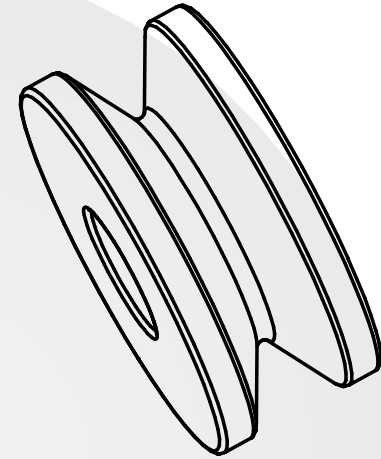
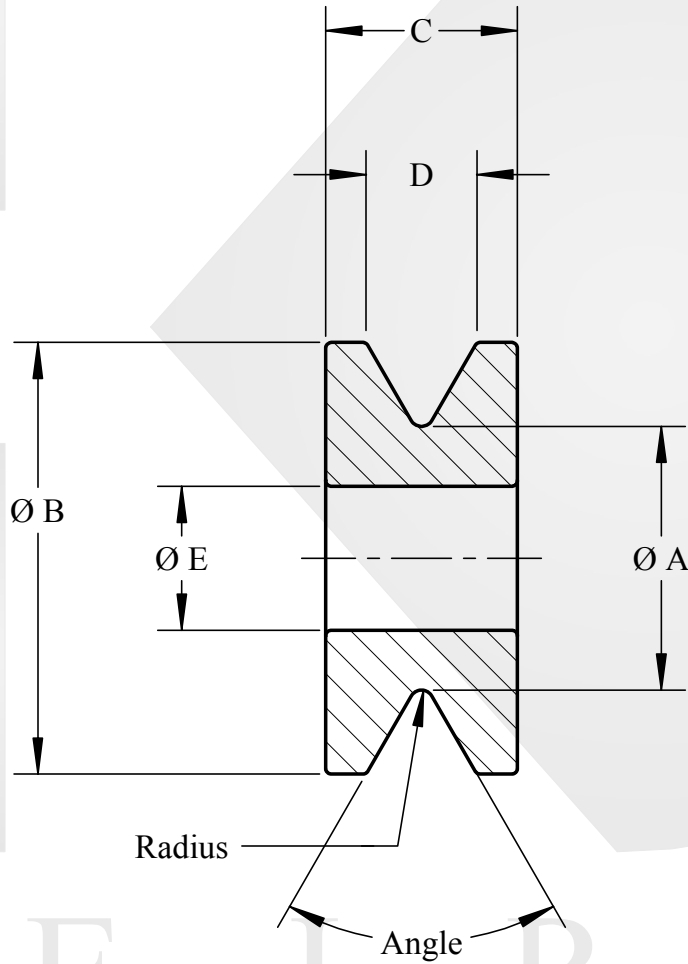
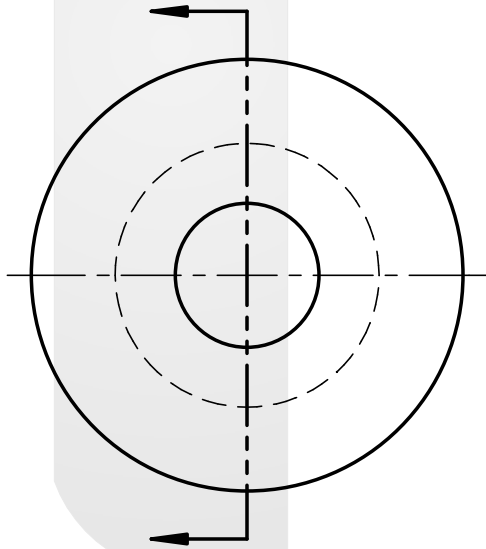

MAT'L: CERAMIC

SCALE: Not To Scale
 DRN: JSH
 CHK:

REF:
 DATE: 03/12/09
 DRG:

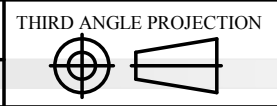
Dimension	Size
A	
B	
C	
D	
E	
Angle	
Radius	

Material (Please Circle): White Alumina / Pink Alumina / Titania / Titania-Conductive

KEIR Manufacturing, Inc.
 133 McLean Road
 Brevard, NC 28712-9451
 Tel: (828) 883-2310

V Groove Pulley
50-Series-V



Unless Otherwise Specified:
 All Tolerances ± 0.010
 Break All Sharp Edges

MAT'L: CERAMIC

SCALE: Not To Scale
 DRN: JSH
 CHK:

REF:
 DATE: 03/12/09
 DRG:



“Ceramics Made for Life”

Specification Components

A = Minor Outer Diameter

B = Major Outer Diameter

C = Overall length

D = Feature Thickness (flange)

E = Inner Diameter

F = Feature Width (groove)

G = Feather Length (Feature to groove on 12 series)

H = Depth of Groove (Diameter of bottom of groove)