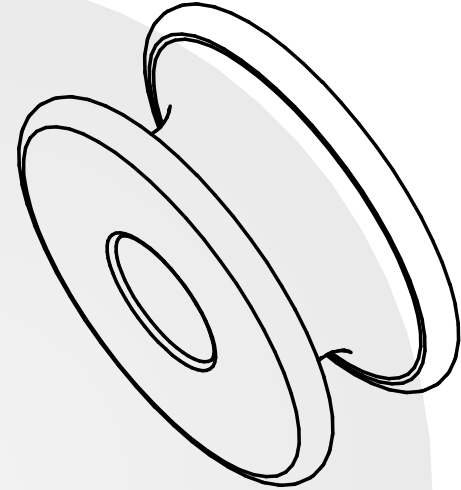
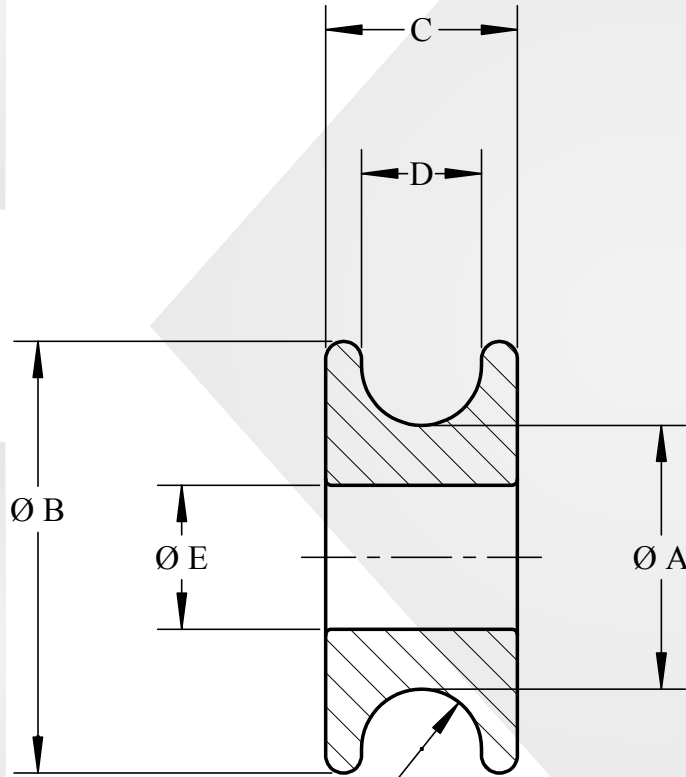
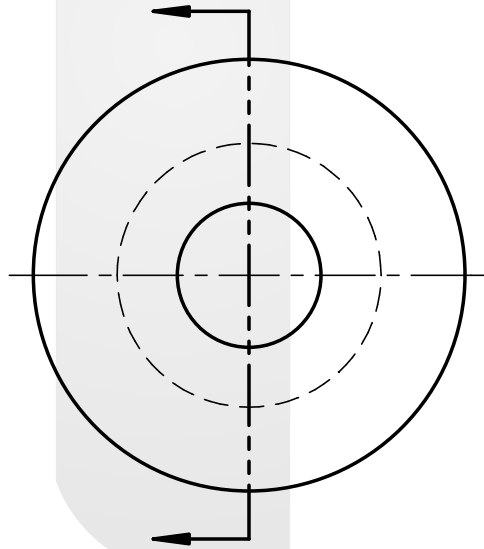


Dimension	Size
A	
B	
C	
D	
E	
Radius	

Material (Please Circle): White Alumina / Pink Alumina / Titania / Titania-Conductive



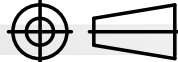
Radius



KEIR Manufacturing, Inc.  
133 McLean Road  
Brevard, NC 28712-9451  
Tel: (828) 883-2310

U Groove Pulley- Radiused Shldr

THIRD ANGLE PROJECTION



Unless Otherwise Specified:  
All Tolerances  $\pm 0.010$   
Break All Sharp Edges

MAT'L: CERAMIC

SCALE: Not To Scale

REF:

50-Series-UR

DRN: JSH

DATE: 03/12/09

CHK:

DRG:



“Ceramics Made for Life”

### Specification Components

A = Minor Outer Diameter

B = Major Outer Diameter

C = Overall length

D = Feature Thickness (flange)

E = Inner Diameter

F = Feature Width (groove)

G = Feather Length (Feature to groove on 12 series)

H = Depth of Groove (Diameter of bottom of groove)