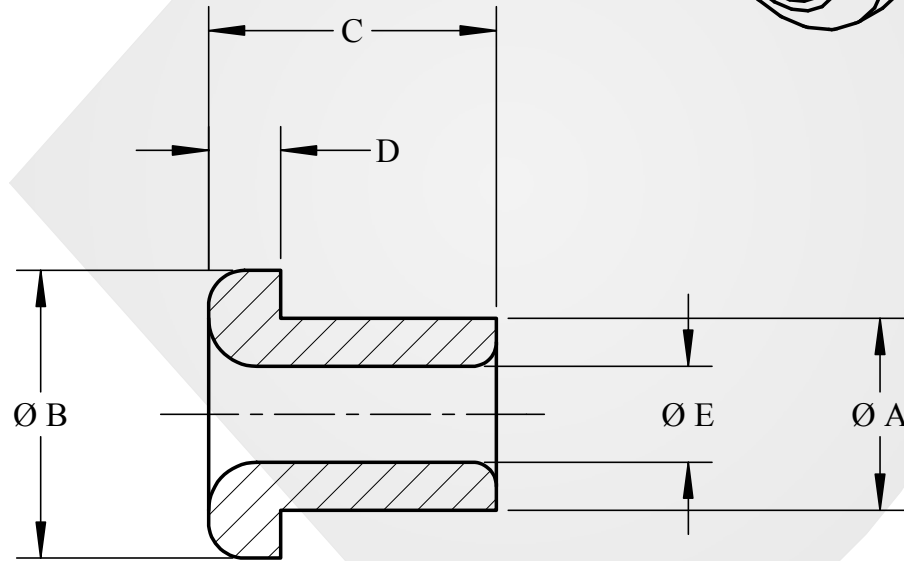
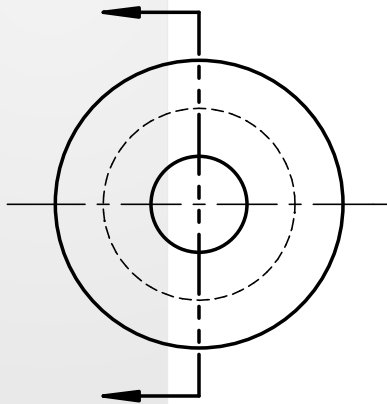
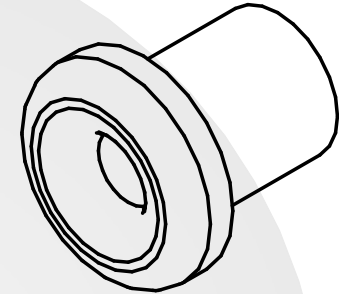


Dimension	Size
A	
B	
C	
D	
E	

Material (Please Circle): White Alumina / Pink Alumina / Titania / Titania-Conductive

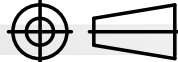


KEIR Manufacturing, Inc.  
 133 McLean Road  
 Brevard, NC 28712-9451  
 Tel: (828) 883-2310

**Eyelet**

**10 Series Eyelet**

THIRD ANGLE PROJECTION



Unless Otherwise Specified:  
 All Tolerances  $\pm 0.010$   
 Break All Sharp Edges

**MAT'L: CERAMIC**

**SCALE: Not To Scale**

**REF:**

**DRN: JSH**

**DATE: 10/03/08**

**CHK:**

**DRG:**



"Ceramics Made for Life"

### Specification Components

A = Minor Outer Diameter

B = Major Outer Diameter

C = Overall length

D = Feature Thickness (flange)

E = Inner Diameter

F = Feature Width (groove)

G = Feather Length (Feature to groove on 12 series)

H = Depth of Groove (Diameter of bottom of groove)